



# varesina

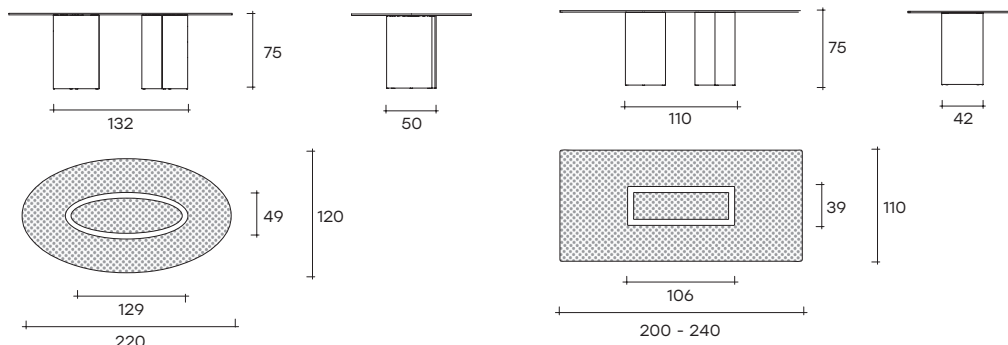
DESIGN  
MATTEO NUNZIATI

modello registrato  
registered model



Tavolo composto da due basi in vetro trasparente o extralight curvato da 12 mm; piano in vetro "Skingslass" trasparente o extralight da 15 mm, parzialmente smaltato a gran fuoco con finitura effetto tessuto, disponibile in tre varianti cromatiche: avorio, grafite e moka.

Table consisting of two 12 mm transparent or extralight curved glass bases; top in 15 mm transparent or extralight "Skingslass" partially enamelled at high temperature with fabric-effect finish, available in three colours: ivory, graphite and moka.



dimensioni L, P, H  
dimensions L, W, H  
(cm)

COD./CODE

L

P/W

H

peso netto  
net weight  
(kg)

peso lordo  
gross weight  
(kg)

volume imballo  
package volume  
(m<sup>3</sup>)

Piano rettangolare in Skingslass effetto tessuto, finitura avorio.  
Rectangular top with fabric-effect Skingslass, ivory finish.

**VT/2011IT**

200

110

75

124

162

0,65

**VT/2411IT**

240

110

75

142

182

0,72

Piano rettangolare in Skingslass effetto tessuto, finitura grafite.  
Rectangular top with fabric-effect Skingslass, graphite finish.

**VT/2011GT**

200

110

75

124

162

0,65

**VT/2411GT**

240

110

75

142

182

0,72

Piano rettangolare in Skingslass effetto tessuto, finitura avorio. Vetro extralight.  
Rectangular top with fabric-effect Skingslass, ivory finish. Extralight glass.

**VT/2011IX**

200

110

75

124

162

0,65

**VT/2411IX**

240

110

75

142

182

0,72

Piano rettangolare in Skingslass effetto tessuto, finitura grafite. Vetro extralight.  
Rectangular top with fabric-effect Skingslass, graphite finish. Extralight glass.

**VT/2011GX**

200

110

75

124

162

0,65

**VT/2411GX**

240

110

75

142

182

0,72

Piano ellittico in Skingslass effetto tessuto, finitura avorio.  
Elliptical top with fabric-effect Skingslass, ivory finish.

**VT/20EIT**

200

120

75

116

160

0,72

Piano ellittico in Skingslass effetto tessuto, finitura grafite.  
Elliptical top with fabric-effect Skingslass, graphite finish.

**VT/20EGT**

200

120

75

116

160

0,72

Piano ellittico in Skingslass effetto tessuto, finitura avorio. Vetro extralight.  
Elliptical top with fabric-effect Skingslass, ivory finish. Extralight glass.

**VT/20EIX**

200

120

75

116

160

0,72

Piano ellittico in Skingslass effetto tessuto, finitura grafite. Vetro extralight.  
Elliptical top with fabric-effect Skingslass, graphite finish. Extralight glass.

**VT/20EGX**

200

120

75

116

160

0,72



Piano rettangolare in Skinglass effetto tessuto, finitura moka. <i>Rectangular top with fabric-effect Skinglass, moka finish.</i>	<b>VT/2011IT</b>	200	110	75	124	162	0,65
	<b>VT/2411IT</b>	240	110	75	124	162	0,65
Piano rettangolare in Skinglass effetto tessuto, finitura moka. Vetro extralight. <i>Rectangular top with fabric-effect Skinglass, moka finish. Extralight glass.</i>	<b>VT/2011IX</b>	200	110	75	142	182	0,72
	<b>VT/2411IX</b>	240	110	75	142	182	0,72
Piano ellittico in Skinglass effetto tessuto, finitura moka. <i>Elliptical top with fabric-effect Skinglass, moka finish.</i>	<b>VT/20EIT</b>	200	120	75	116	160	0,72
Piano ellittico in Skinglass effetto tessuto, finitura moka. Vetro extralight. <i>Elliptical top with fabric-effect Skinglass, moka finish. Extralight glass.</i>	<b>VT/20EGX</b>	200	120	75	116	160	0,72

**FINITURA BASI**  
**BASES FINISH****SPESSORE**  
**THICKNESS**

Vetro extralight. <i>Extralight glass.</i>	12 mm
Vetro extralight retrolaccato. <i>Extralight back-lacquered glass.</i>	12 mm
Vetro extralight acidato. <i>Extralight acid-etched glass.</i>	12 mm
Vetro extralight acidato retrolaccato. <i>Extralight acid-etched back-lacquered glass.</i>	12 mm
Vetro fumè. <i>Smoked glass.</i>	12 mm
Retro argentatura. <i>Back-silvering.</i>	

**\*\* Dimensione massima del piano: 260x120 cm. / \*\* Maximum top dimension: 260x120 cm.**